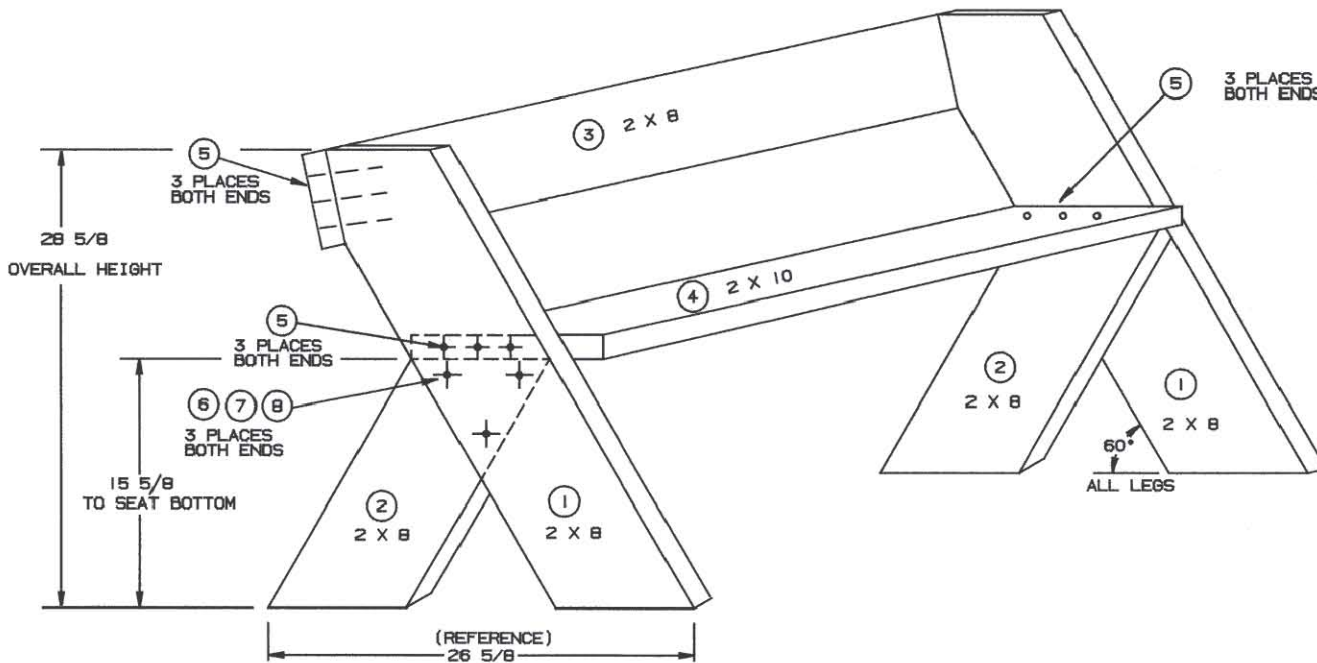
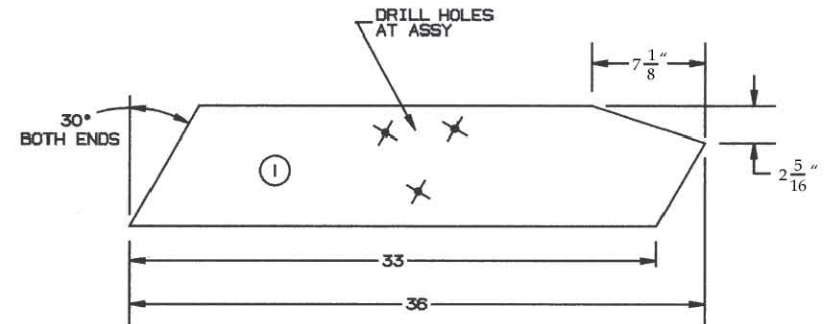
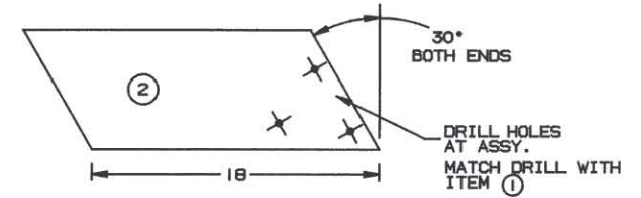


# PRESERVE BENCH PLAN

#	QTY	DESCRIPTION
①	2	LONG LEG 2 X 8 X 36
②	2	SHORT LEG 2 X 8 X 18 @ 30°
③	1	BACK 2 X 8 X 39
④	1	SEAT 2 X 10 X 36
⑤	18	#12 F.H. X 3 1/2 SCREW
⑥	6	3/8 X 3 1/2 CARRIAGE BOLT
⑦	6	3/8 NUT
⑧	6	3/8 FLAT WASHER

## LEG DETAILS:



## MATERIAL LIST:

- 1 PC. 2" X 10" X 4' FOR ITEM ④
- 2 PC. 2" X 8" X 8' FOR ITEM ① ② & ③
- (18) #12 X 3 1/2" FLATHEAD SCREWS
- (6) 3/8" X 3 1/2" CARRIAGE BOLTS
- (6) 3/8" FLAT WASHERS
- (6) 3/8" NUTS